

VISIX™ 2MP IP Outdoor Infrared Heated Dome Camera

This rugged two (2) megapixel IP outdoor vandal dome camera is the perfect combination of form and function. With its infrared LEDs and its heated enclosure, the VX-2M-OD2-RIAH delivers high-definition video for network video surveillance applications requiring superior clarity and detail in varying lighting and weather conditions.

The IP67-rated enclosure provides protection in the harshest environments for superior dust and water resistance. Durable and aesthetically pleasing, this vandal dome camera allows for easy installation in a wide variety of areas. Designed to continue functioning at top performance at temperatures as low as -40°C (-40°F) and as high as 60°C (140°F), this cameras heater and fan allows for a wide range of applications.

A true day/night camera for use in low-light conditions down to 0 lux (with IR). The standard IR cut filter with auto switch, provides superior night-time video. Triple streaming allows recording at the highest quality while allowing fast live viewing from anywhere in the world regardless of available bandwidth. Full support for both variable-bit-rate and variable-frame-rate, allows the quality of each stream to be matched to available bandwidth for the most effective video quality possible.

When coupled with the VIGIL™ Series of digital video recorders and Video Management System (VMS) software, superior point-to-point hardware compression and decompression allows for maximum performance of streamed live video providing better video quality, more concurrent streams and a lower overall consumption of CPU performance.

This high-definition camera is packed with all the features you might need for nearly any application including: motion detection; low-light day/night functionality; NAS compatibility and compatibility with a wide variety of standardized network protocols.



Key Features and Benefits	
Resolution	2 MP (1920 x 1080)
Frame Rate	60 fps
Compression	H.265/H.264/H.265+ /H.264+/MJPEG
Lens	2.8-12mm Varifocal
Remote Focus	✓
WDR	140 dB
Audio	Two-way
Built-in IR	Up to 30 m
Outdoor	IP67
Warranty	3-Year

CAMERA

Image Sensor:	1/1.8" Progressive Scan CMOS
Lens:	2.8 - 12mm, F1.4 (Motorized Varifocal)
Angle of View:	Horizontal FOV 103.3° to 38.6°, vertical FOV 54.2° to 21.9°, diagonal FOV 124.2° to 44.3°
Angle Adjustment:	Pan: 0° - 355°, Tilt: 0° - 75°, Rotation: 0° - 355
Remote Focus:	Yes
Min. Illumination:	Color: 0.002 Lux @ (F1.2, AGC ON) 0 Lux with IR
IR Range:	Up to 30 Meters
Electronic Image Stabilization:	Supported
Day/Night:	IR cut filter with auto switch
Wide Dynamic Range:	140 dB
Shutter Times:	1 second to 1/100,000 seconds

COMPRESSION STANDARD

Video Compression:	H.265/H.264/H.265+/H.264+/MJPEG
Video Bit Rate:	32 Kbps - 16 Mbps
Audio Compression:	G.711/G.722.1/G.726/MP2L2/PCM
Dual Streams:	Yes

IMAGE

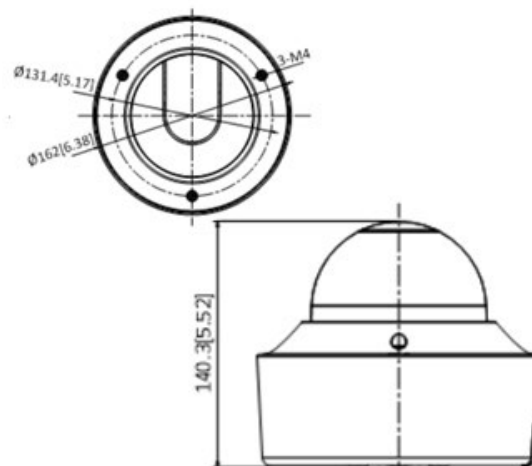
Max. Image Resolution:	1920(H) x 1080(V)
Frame Rate:	30 fps (1920 x 1080), (1280 x 960), (1280 x 720)

FUNCTIONS

Alarm Triggers:	Motion detection, video tampering alarm, network disconnected, IP address conflict, illegal login, HDD full, HDD error
Security:	Password protection, HTTPS encryption, IEEE 802.1x port-based network access control, IP address filter, basic and digest authentication for HTTP/HTTPS, WSSE and digest authentication for ONVIF
Protocols:	TCP/IP, ICMP, HTTP, HTTPS, FTP, DHCP, DNS, DDNS, RTP, RTSP, RTCP, PPPoE, NTP, UPnP, SMTP, SNMP, IGMP, 802.1X, QoS, IPv6, UDP, Bonjour
System Compatibility:	ONVIF (PROFILE S, PROFILE G), ISAPI

PHYSICAL

Working Temperature:	30°C - 60°C (-22°F - 140°F); Humidity 95% max 40°C - 60°C (-40°F - 140°F) with heater
Weather Resistance:	IP67
Impact Protection:	IEC60068-2-75Eh, 50J; EN50102, up to IK10
Dimensions (inches):	6.4" x 5.5"
Dimensions (mm):	162 x 140.3
Weight:	1450 g (3.20 lb.)


ELECTRICAL

Power Supply:	12 VDC ± 20%, two-core terminal block
Power Consumption:	PoE (802.3at, class 3): 42.5 V to 57 V

INTERFACE

Communication:	1 RJ45 10M/100M Ethernet port
Video Output:	1Vp-p Composite Output (75 Ω, CVBS)
Alarm Input:	1
Alarm Output:	1
Audio Input:	1-ch 3.5 mm input (line in)
Audio Output:	1-ch 3.5mm output, mono

WARRANTY

Three (3) Year Parts and In-house Labor Warranty

CERTIFICATIONS

FCC, CE, UL

PART NUMBERS

VX-2M-OD3-RIAH	VISIX 2MP IP Camera - Outdoor Dome
----------------	------------------------------------

RECOMMENDED MOUNTS

VX-PM-147	Pendant Mount Adaptor
VX-WM-147	Wall Mount Bracket
VX-POLE-147	Pole Mount Adaptor
VX-CM-147	Corner Mount Adaptor