

VISIX™ V-Series 2MP Exterior Bullet Camera

The VX-2A-B-RIWDZ is a fully functional indoor/outdoor IP camera with advanced analytics capabilities. These cameras can be connected to a DVR or act as a standalone recording device.

The exterior bullet camera offers high-definition video at full 1920 x 1080 resolution for both indoor and outdoor video surveillance applications which require superior clarity and detail. Its many features include; dual-streaming of either H.264 or MJPEG compression; wide dynamic range; Micro SD card slot for local recording; IP66 weather resistant construction; varifocal lens; and IR illumination.

The embedded analytics use algorithms that automatically self-adjust, allowing the user to concentrate on the detection rules. This greatly simplifies the analytic process, requiring only a few mouse clicks to configure a detection rule. These advanced analytics allow for object classification, direction, people counting, dwell times, and occupancy counts.

When enabled, the embedded VIGIL Server software from 3xLOGIC allows the camera to be run as a stand-alone device recording video to the onboard memory card. This makes the camera compatible with the 3xLOGIC software suite including VIGIL Client, VIGIL VCM, VIGIL Mobile and VIGIL Cloud applications. Simple plug-and-play installation allows for access using a standard web browser, VIGIL Client, or your mobile device or tablet using our easy to use QR code quick setup.



Key Features and Benefits

Resolution	2 MP (1920 x 1080)
Frame Rate	30 fps
Compression	H.264/MJPEG
Lens	2.8-12mm Varifocal
WDR	Digital
On-Camera Storage	+
Built-in IR	up to 15 m
Standard Analytics	✓
Advanced Analytics	+
Outdoor	IP66
ONVIF/PSIA Compliant	✓
Warranty	3-Year

+ Optional Component

CAMERA

Image Sensor:	1/2.9 inch Progressive Scan CMOS
Lens:	3.0mm(w) - 9.0mm(t) @ F1.5(w) - F2.5(t), Optical 3x
Min. Illumination:	Color: 0.5 Lux (50IRE) / 0.2 Lux (30IRE, Sens-Up) B/W : 0 Lux (IR LED On)
IR Range:	Up to 35 meters
Auto Iris:	DC drive
Day/Night:	IR cut filter
Wide Dynamic Range:	Yes, Digital
Angle of View:	Horizontal: Approx. 100° (Wide) to 35° (Tele) Vertical: Approx. 54° (Wide) to 20° (Tele)

COMPRESSION STANDARD

Video Compression:	H.264, MJPEG
Dual Streams:	Yes

IMAGE

Max. Image Resolution:	1920(H) x 1080(V)
Frame Rate:	30 fps
Image Orientation:	Flip / Mirror / Corridor Mode (-90°, +90°)

FUNCTIONS

Local Storage:	Built-in Micro SD (SD/SDHC/SDXC) up to 64GB
Security:	Multi level access with password protection
Protocols:	HTTP, Qos Layer 3 DiffServ, TCP/IP, HTTP, HTTPS, FTP, UDP/IP, RTSP, RTCP, RTP/UDP, RTP/TCP, mDNS, UPnP, SMTP, DHCP, DNS, DDNS, NTP, IPv4, SNMPv1/v2c/v3(MIB-II), IGMP, ICMP
System Compatibility:	ONVIF

PHYSICAL

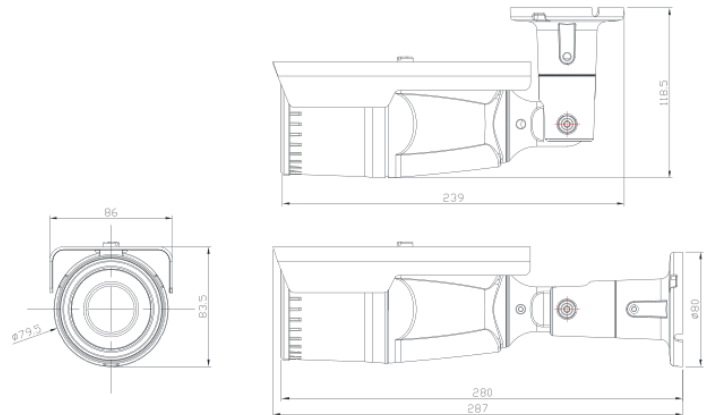
Working Temperature:	-20°C - 50°C (-4°F - 122°F)
Start-up Temperature:	-0°C (32°F)
Humidity:	85% max - non condensing
Weather Protection:	IP66
Dimensions (inches):	11.3" x 3.28" x 3.39"
Dimensions (mm):	287 x 83.5 x 86
Weight:	1.90 lbs / 860 g

ELECTRICAL

Power Supply:	12V DC; PoE (IEEE 802.3af)
Power Consumption:	9W Max

INTERFACE

Communication:	1 RJ45 10M/100M Ethernet port
Video Output:	1 Vp-p composite output (75 Ω/RCA) for installation
Alarm Input:	1
Alarm Output:	1



STANDARD ANALYTICS (INCLUDED)

- Detection Zones: Multi-segment Polygons and Lines
- On-screen Display: Real-time Display of Tracking
- Image stabilization
- Change of Scene Detection

ADVANCED ANALYTICS (OPTIONAL)

- Size-based Object Classification
- Detection Behavior; Direction, Stopping, Loitering
- Entering, Exiting, Appear, and Disappear Filters
- Speed Filters

WARRANTY

Three (3) Year Parts and In-house Labor Warranty

CERTIFICATIONS

KC, FCC, CE, ROHS, UL, ULC

PART NUMBERS

VX-2A-B-RIWDZ:	2MP IP Bullet Camera with Standard Analytics
-S	VIGIL Server Stand-Alone Software License with 64GB SD Storage, Includes Basic Relay Server Service
-AS	Advanced Analytics License and Server Stand-Alone License
-A	Advanced Video Analytics

The Advanced Analytics and Stand-Alone Server features can also easily be added to the camera after installation. Contact your 3xLOGIC Representative for further details.